

# LDSL SERIES

Outdoor Lighting

**WESTGATE**  
THE FUTURE IS HERE...AND IT'S QUITE BRIGHT!

LDSL-MCT-D-BZ

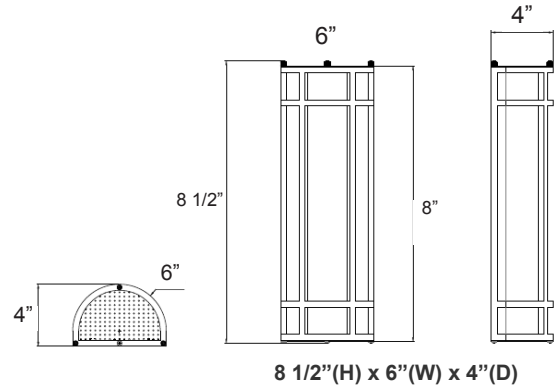


Customer Name: \_\_\_\_\_

Project Name: \_\_\_\_\_

Note: \_\_\_\_\_

Type: \_\_\_\_\_



Wall sconce fixture updated with the latest in LED technology. It provides accent illumination that visually expands the space and creates a relaxing atmosphere. Ideal for use in hallways, stairways, dining areas, foyers, and meeting rooms for residential and commercial applications. The long LED life, coupled with exceptional color rendering, make this fixture attractive for new or retrofit projects.

## Features

- High-Transmission Frosted Plastic Lens with Excellent Distribution and Uniformity
- Direct replacement for Fluorescent
- Full distribution LED luminaries
- 70,000 Hours Rated Life
- 7-Year Warranty

## Technical Specifications

### Electrical:

- Voltage: 120~277VAC/50~60 Hz
- Wattage: 20W
- Power factor: >0.9
- Efficacy: 75 LPW

### Mechanical:

- Die-cast Aluminum Housing with Powder Coat Finish (Dark Bronze)
- High-Transmission Frosted Plastic Lens with Excellent Distribution and Uniformity
- Direct replacement for Fluorescent
- Full distribution LED luminaries
- IP Rating: IP65
- Operating Temperature: -4°F to 113°F
- Suitable for Wet Locations

### Lighting:

- Dimming: Dimming: 0~10V Dimmable
- Multi CCT: Selectable CCTs Switch located on the LED Board
- Total Lumens: 1500LM
- Color Temperature: 3000K/ 4000K/ 5000K
- Color Rendering Index:  $\geq 80$
- Beam Angle: 120°

### Applications:

- Motel, Hotels, Hospitals, hallways, stairways, dining areas, foyers, and meeting rooms

### Other Models:

- 20W | 1500LM | LDSL-MCT-D-SIL

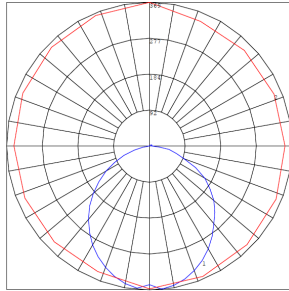
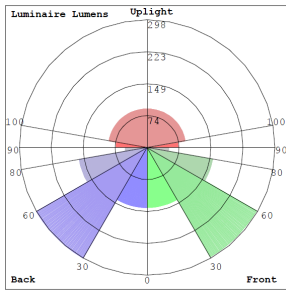


Phone: (877) 805-2252 | Fax: (877) 805-2252  
www.westgatemfg.com | www.westgatecontrols.co

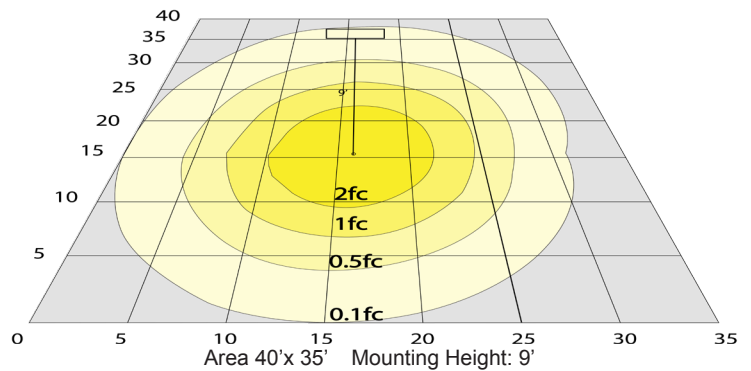


WG-ZB-ZB-2Z

## Photometrics: LDSL-MCT-D-BZ



BUG Rating: B1-U3-G1



## Other Views:



Side View



Front View



Back View

## Performance Table: LDSL-MCT-D-BZ

MODEL NO.	Wattage	Voltage	Lumens	Color Temp.	BUG Rating	LPW
LDSL-MCT-D-BZ	20W	120~277V	1500LM	3000K 4000K 5000K	B1-U3-G1	75

## Sample Ordering

**Model Color Temp. Dimming Housing**

LDSL - MCT - D - BZ

## Factory-Installed Option:

Blank = No Option For Accessories

OPT-EM-LDSL = EMERGENCY BATTERY BACKUP OPTION

OPT-PC-B1 = BUTTON-TYPE PHOTOCELL

OPT-SEN-LDS-BR = PROGRAMMABLE MICROWAVE BI-LEVEL SENSOR

WEC-8RC= OPTIONAL REMOTE CONTROL

## FACTORY-INSTALLED OPTION:



OPT-EM-LDSL

EMERGENCY BATTERY BACKUP OPTION



OPT-SEN-LDS-BR

PROGRAMMABLE MICROWAVE  
BI-LEVEL SENSOR



WEC-8RC

OPTIONAL REMOTE CONTROL



OPT-PC-B1

BUTTON-TYPE PHOTOCELL

## Example:

1 LDSL-MCT-D-BZ

(For LDSL 20W MCT fixture 120~277V)

2.LDSL-MCT-D-BZ

(For LDSL 20W MCT fixture 120~277V)

WEC-8RC

(OPTIONAL REMOTE CONTROL)

